

輓輪系列

Roller Series



輓輪測試報告

Test Report of Roller



台灣門窗五金領導品牌

Test Report

Test Report No. 7191064637-MEC13-04-DL
 Dated 15 Jul 2013

Subject: Endurance test (50,000 cycles) for aluminium sliding window system

Tested For: JAM-YUAN ENTERPRISES CO., LTD
 No. 1, Alley 683, Kuo Shih Road, Yang Mei City, Taichuan Hsien 326, Taiwan R.O.C.
 Tel: +886-3-476 3111 Fax: +886-3-478 8878
 Attn: Hsiang Fu Di

Test Method: BS 212 : 2007 Specification for aluminium alloy windows
 Clause 10.2.2.7 - Endurance of fasteners/hardware

Description of Sample:
 One aluminium sliding window system consisting of 2 sliding glass panels was installed onto the test rig for endurance test.
 One pair of sliding window rollers is affixed to the bottom of each panel.

Overall size: 1830 mm (width) x 1000 mm (height)
Size of sliding panel each: 915 mm (width) x 500 mm (height)
Weight of sliding panel each: 31 kg
Length of handle: 300 mm
Model of sliding roller: 10CM Adjustable Single Roller

Drawings Submitted: 4 sheets of drawings

Date of Sample Received: 11 Mar 2013

Date of Test: 22 Mar 2013

Signatures: David Li, Associate Engineer; Ong Khay Beng, Engineer Building Mechanical Centre

Page 1 of 3

Test Report No. 7191064637-MEC13-04-DL
 Dated 15 Jul 2013

TEST RESULTS:
 Endurance of Fastener or Hardware (E.8 Test B)

Sample Reference	Number of cycles						BS 212 : 2007 Requirements
	Initial	10,000	20,000	30,000	40,000	50,000	
Observation	No visual damage is observed.						No visual damage to the fastener / hardware shall be detected.
Ease of fastener operation	Torque applied on fastener to close the sash (Nm)	0.8	0.8	0.8	0.8	0.8	10 maximum
	Torque applied on fastener to open the sash (Nm)	1.2	1.2	1.2	1.2	1.2	
Ease of movement of sash	Force to initiate movement (N)	13.7	14.3	14.7	14.7	14.7	115.4 maximum (area of sash = 0.56 m ²)
	Force to sustain movement (N)	11.8		12.6	12.9	12.8	

Result: Passed
 Remarks: The sliding window panel remains operable (open & close) after 50,000 cycles of endurance test.

Signatures: David Li, Associate Engineer; Ong Khay Beng, Engineer Building Mechanical Centre

Page 2 of 3

Test Report

Test Report No. 7191064637-MEC13-04-DL
 Dated 15 Jul 2013

APPENDIX : PHOTOS TAKEN DURING TEST

Figure 1: Sliding window undergoing endurance test

Signatures: David Li, Associate Engineer

Page 3 of 3

Test Report No. 7191064637-MEC13-04-DL
 Dated 15 Jul 2013

APPENDIX : PHOTOS TAKEN DURING TEST (CONT'D)

Figure 2: Window rollers (1 pair) - No visual damage is observed after 50,000 cycles of endurance test

Signatures: David Li, Associate Engineer

Page 4 of 3

輓輪系列

JAM-YUAN ENTERPRISES CO., LTD



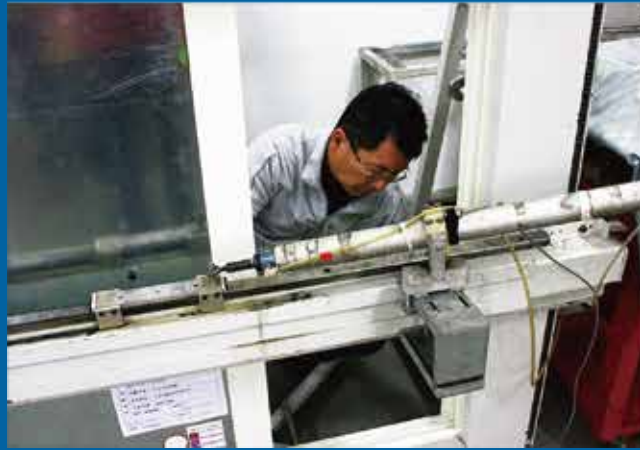
台灣門窗五金領導品牌

輓輪測試報告

Test Report of Roller

輓
輪
系
列

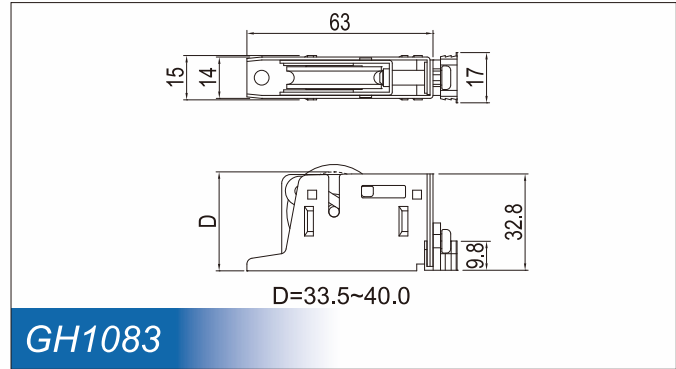
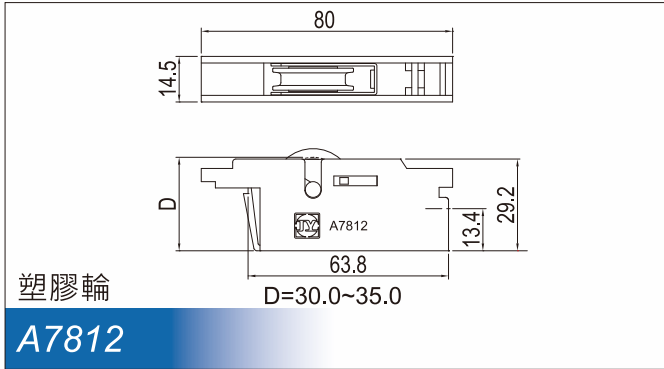
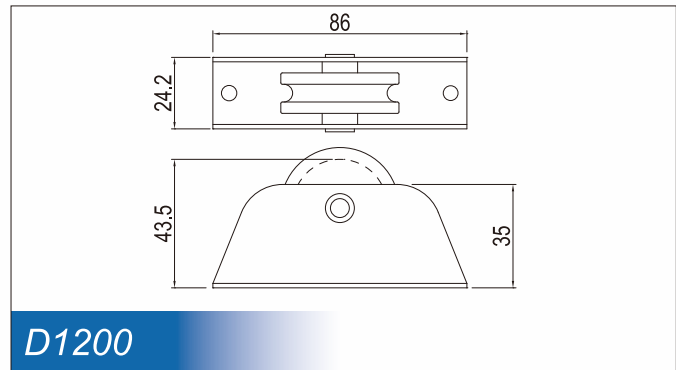
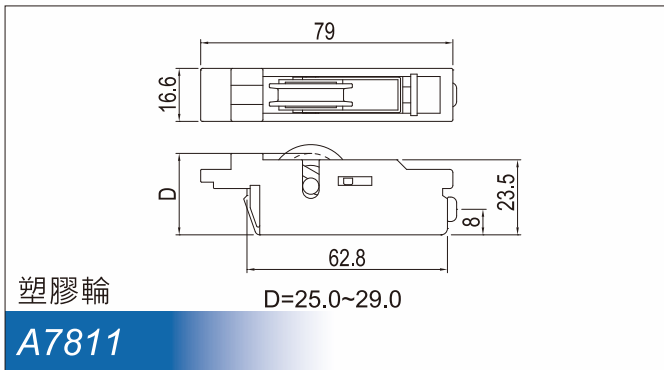
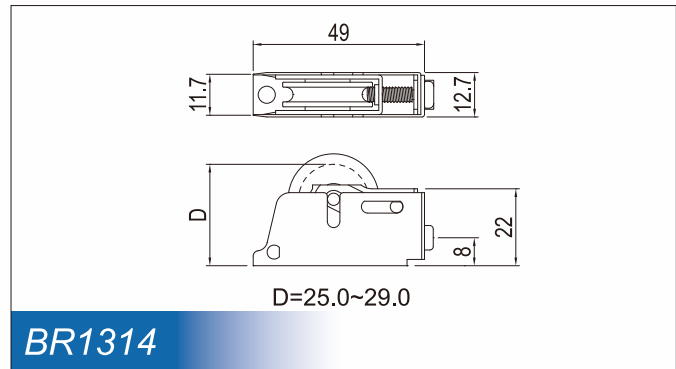
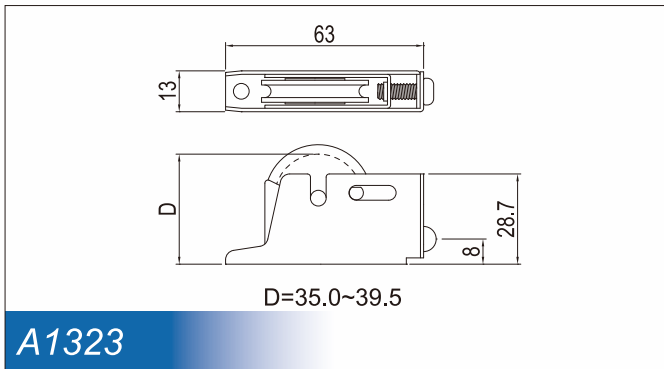
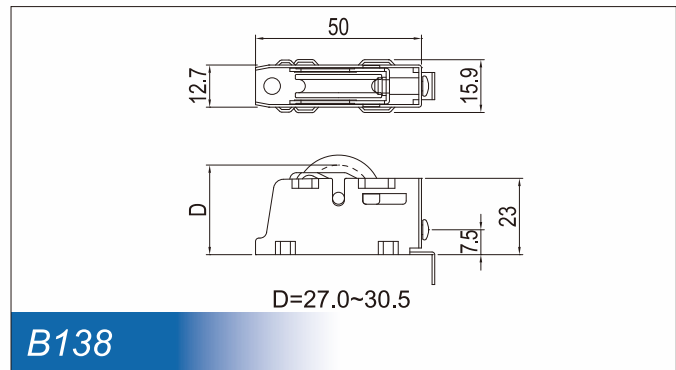
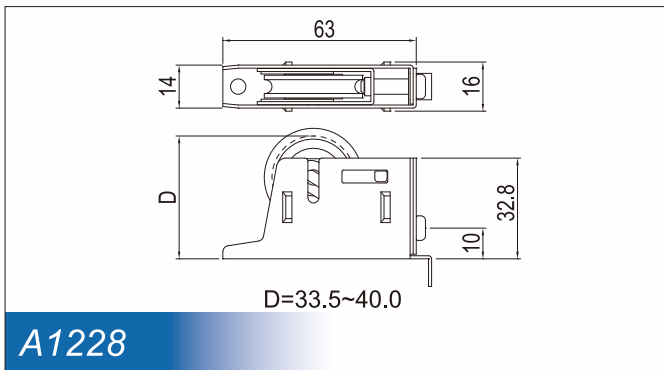
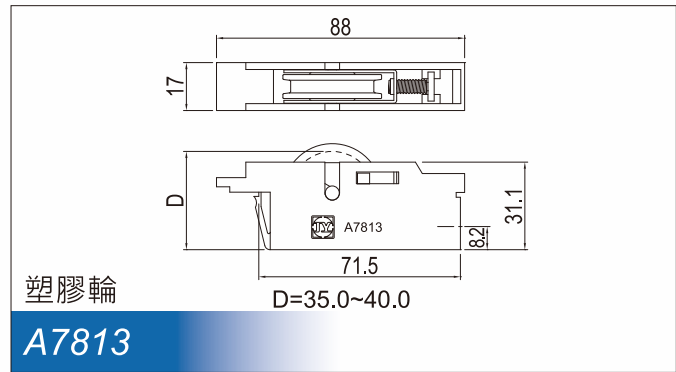
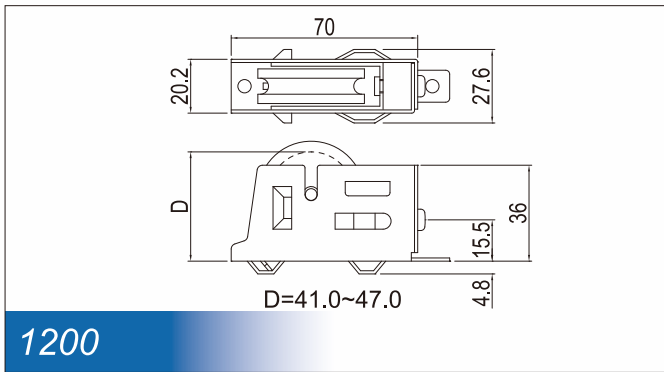
JAM-YUAN ENTERPRISES CO., LTD



單輥輪

Single Roller

材質SUS304(Material SUS304)



輥
輪
系
列

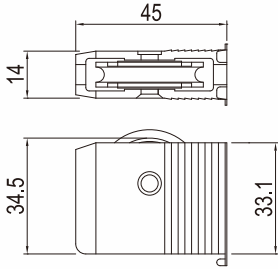
JAM-YUAN ENTERPRISES CO., LTD



台灣門窗五金領導品牌

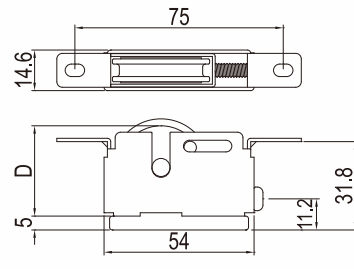
單輓輪 Single Roller

材質SUS304(Material SUS304)



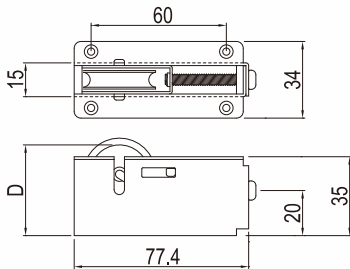
塑膠輪

GH851



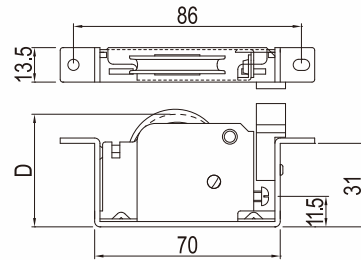
D=32.5~40.5

L1001



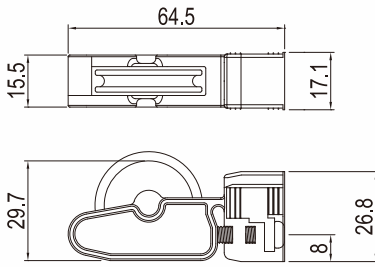
D=33.5~40.0

H657



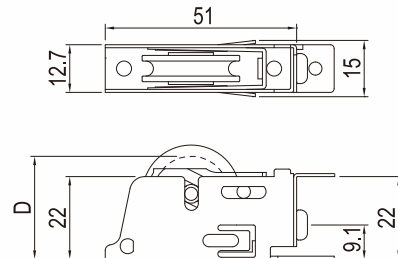
分左右式位移輪 D=41.0~43.0

M1350



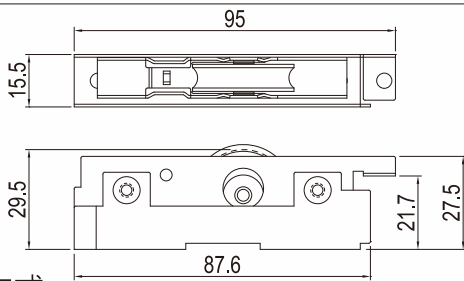
塑膠輪

JT1903



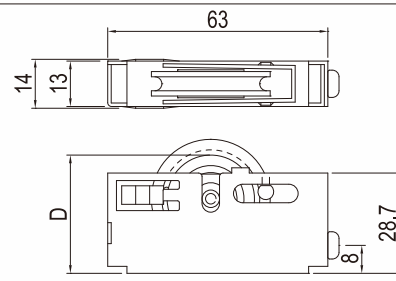
D=25.0~29.0

M1352



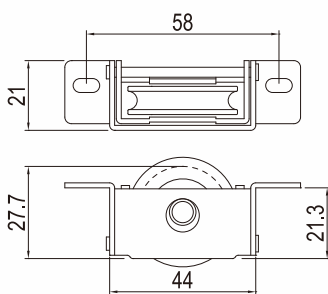
分左右式

JWA207



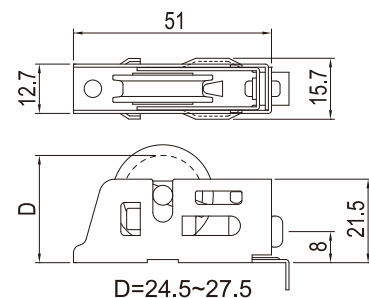
D=34.0~38.0

M1354



位移輪

JY06-17U



D=24.5~27.5

MV25N

輓
輪
系
列

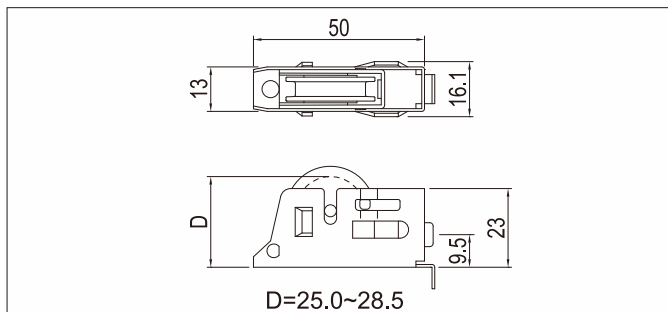
JAM-YUAN ENTERPRISES CO., LTD

單輥輪 Single Roller

材質SUS304(Material SUS304)

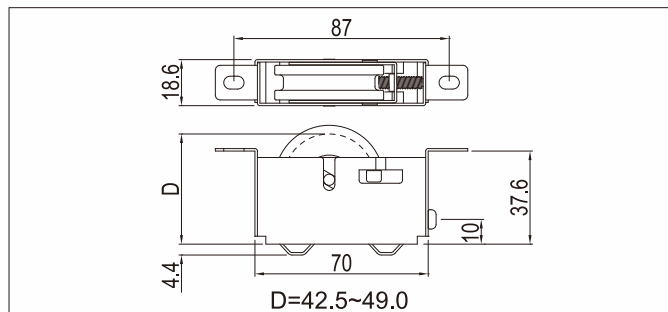


台灣門窗五金領導品牌



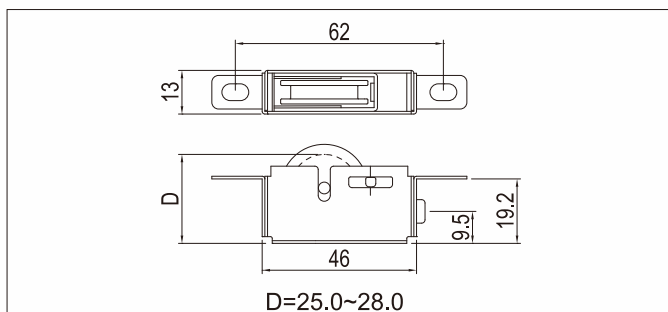
D=25.0~28.5

PL862



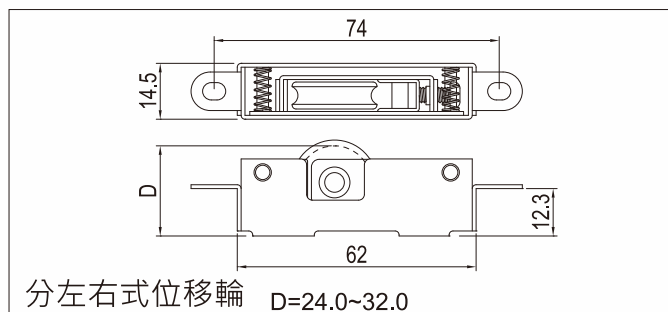
D=42.5~49.0

S1069



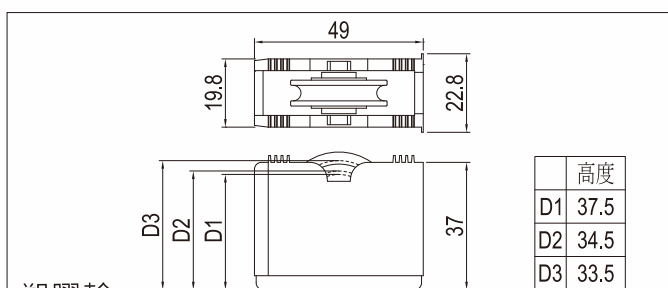
D=25.0~28.0

PL8951



分左右式位移輪 D=24.0~32.0

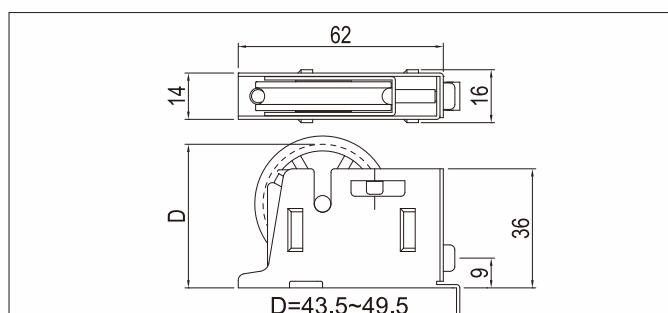
S7232



塑膠輪

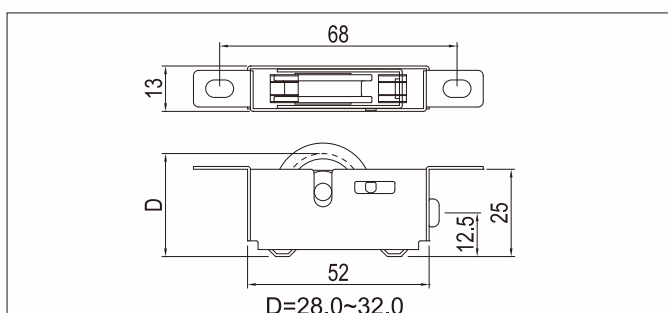
	高度
D1	37.5
D2	34.5
D3	33.5

RL1915



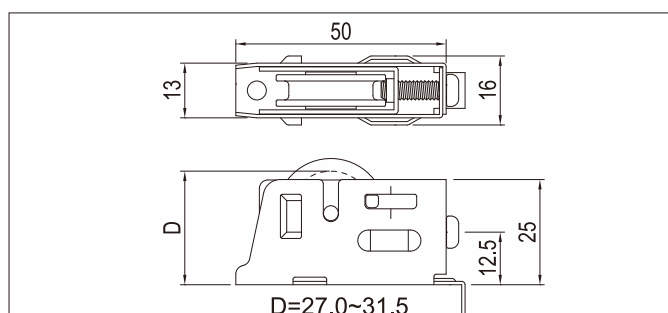
D=43.5~49.5

T1270



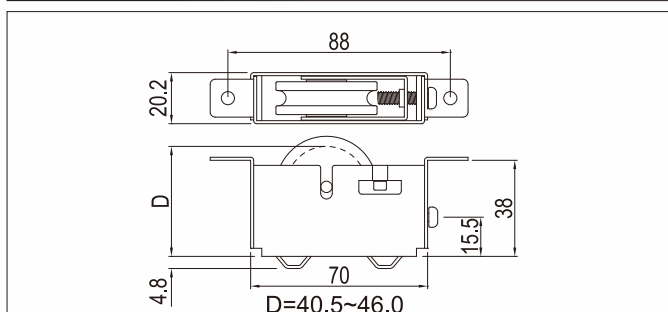
D=28.0~32.0

RL1916



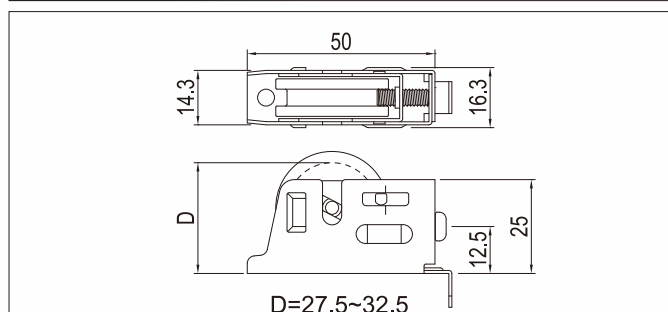
D=27.0~31.5

TH836



D=40.5~46.0

S1068



D=27.5~32.5

TH836W

輥
輪
系
列

JAM-YUAN ENTERPRISES CO., LTD



台灣門窗五金領導品牌

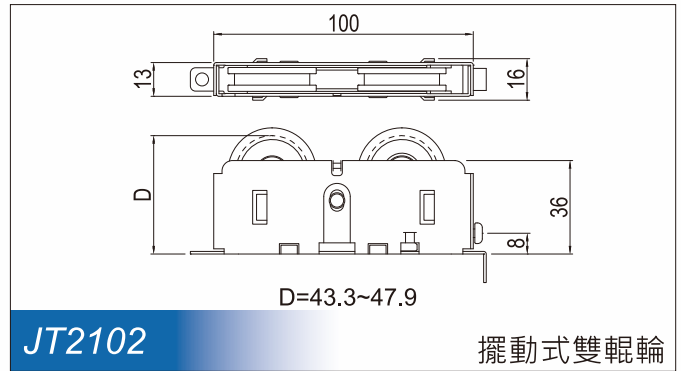
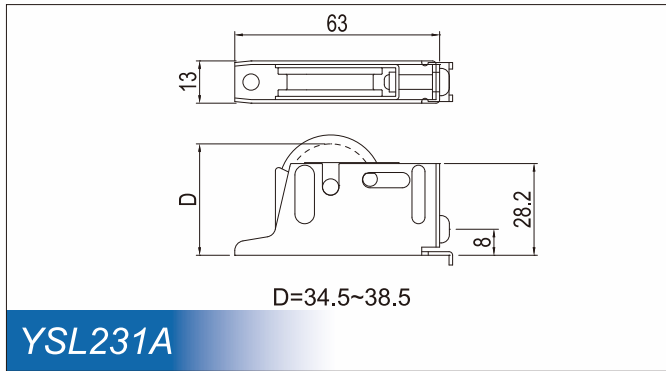
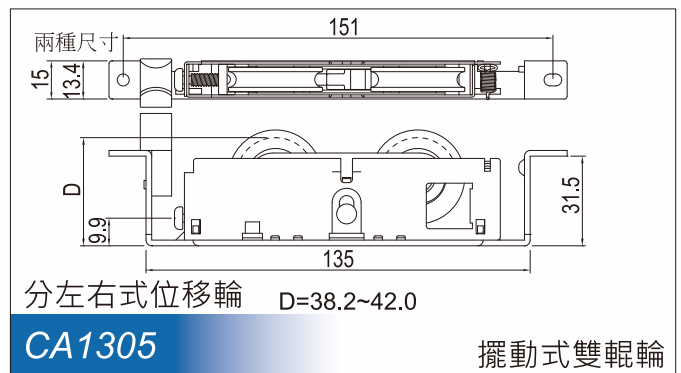
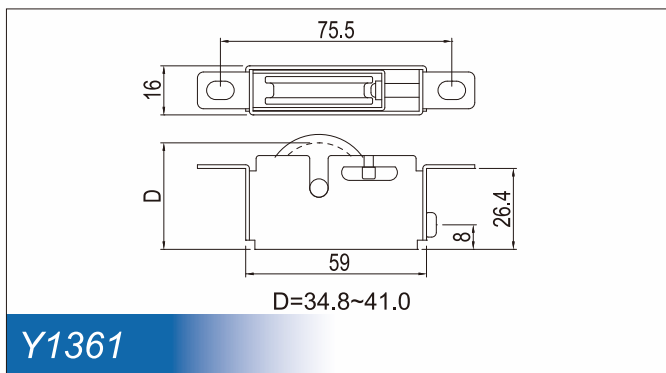
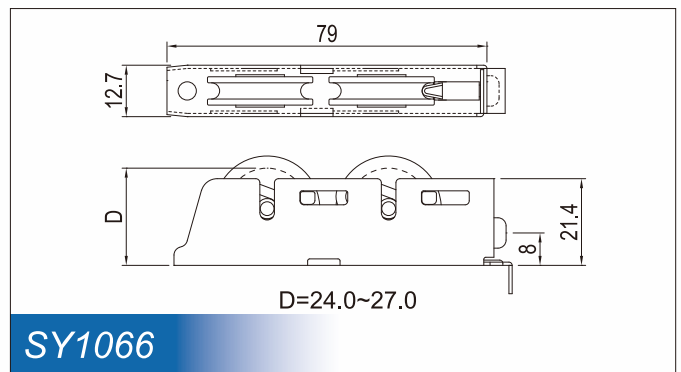
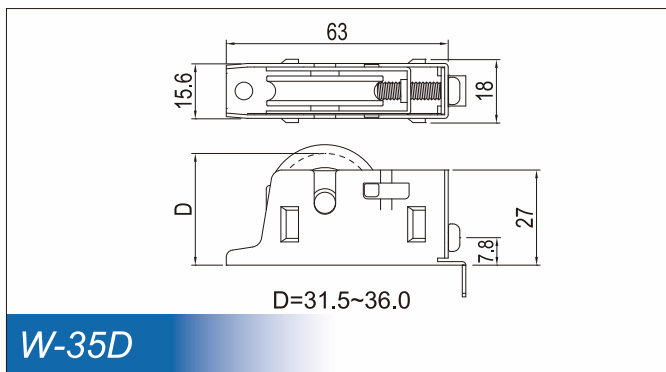
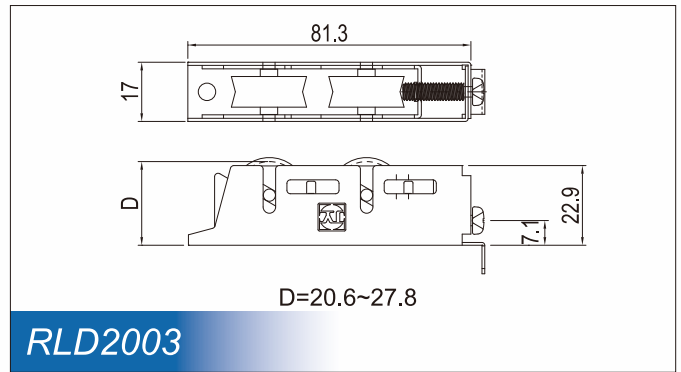
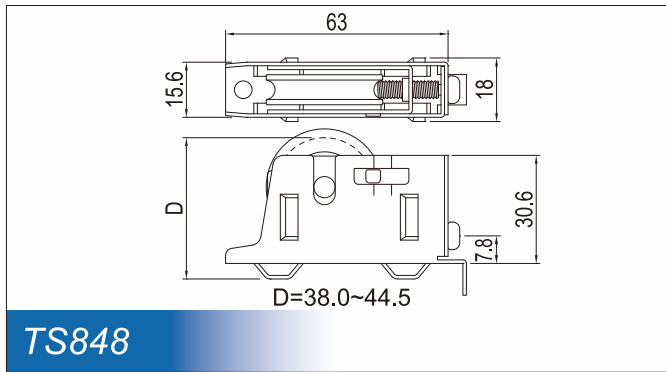
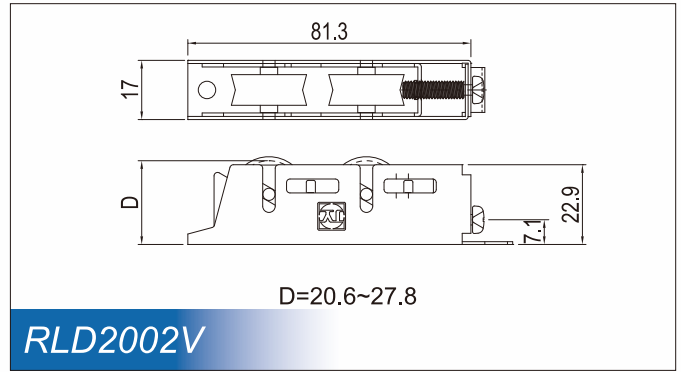
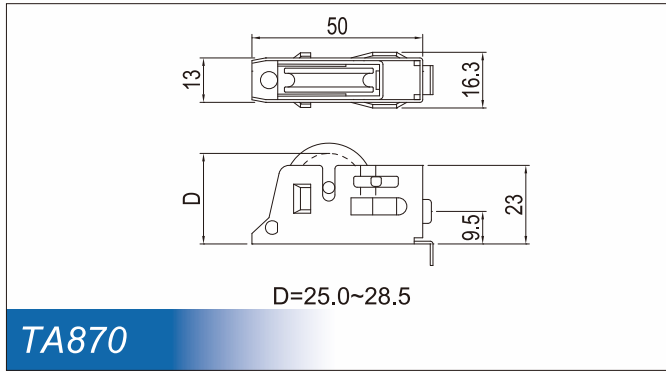
單輥輪/雙輥輪

Single Roller / Dual Roller

材質SUS304(Material SUS304)

輥
輪
系
列

JAM-YUAN ENTERPRISES CO., LTD



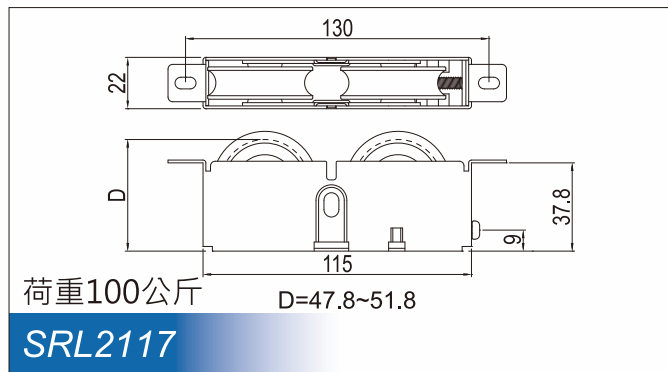
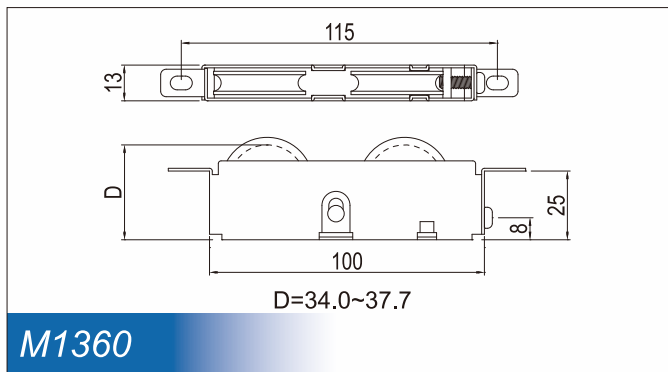
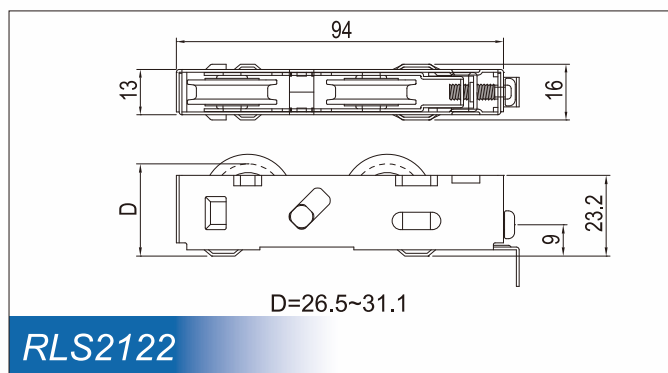
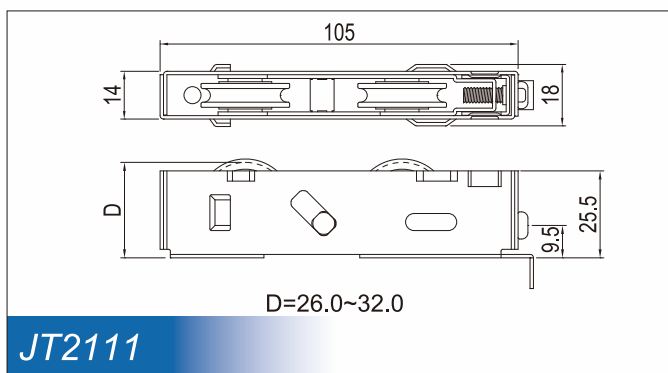
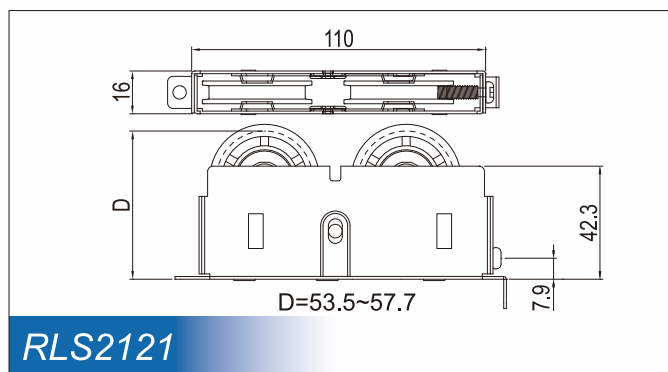
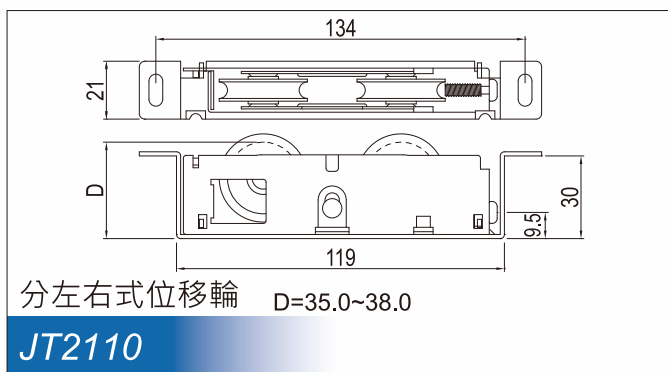
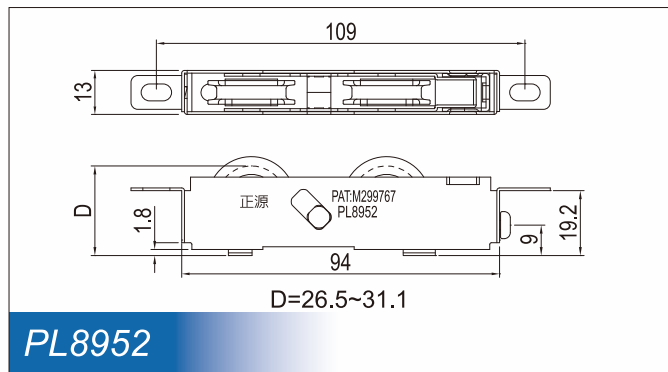
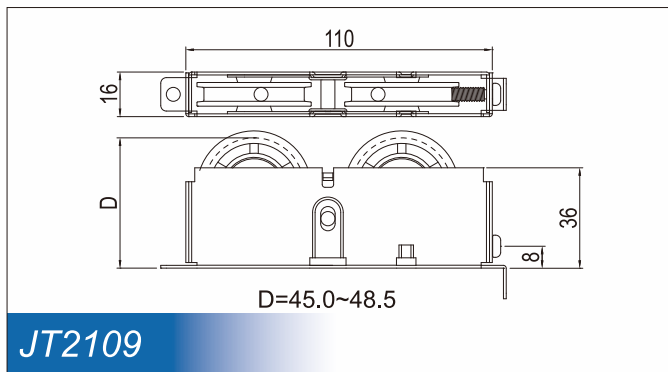
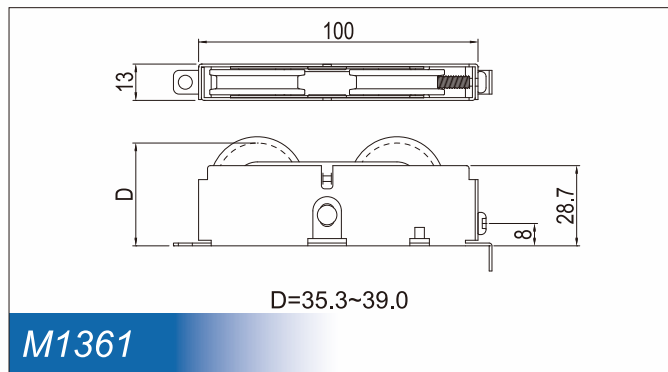
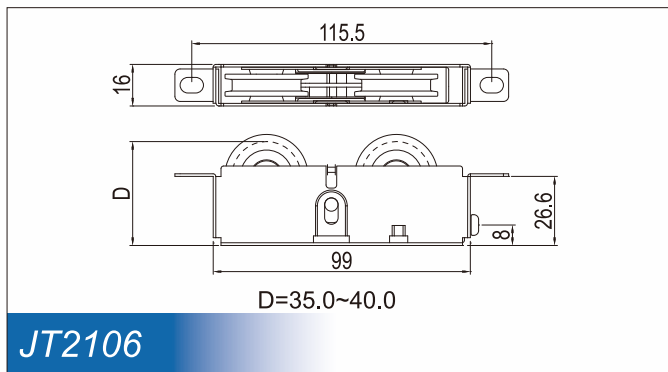
擺動式雙輥輪

Swing Dual Roller

材質SUS304(Material SUS304)



台灣門窗五金領導品牌



輥
輪
系
列

JAM-YUAN ENTERPRISES CO., LTD

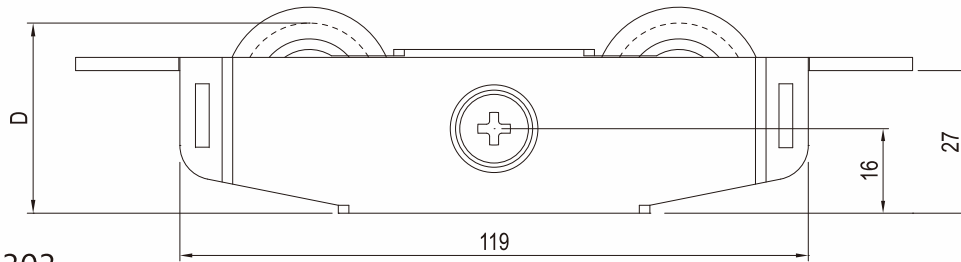
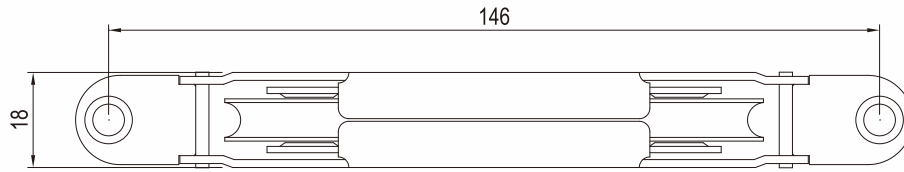


台灣門窗五金領導品牌

載重型雙輓輪

Heavy Duty Dual Roller

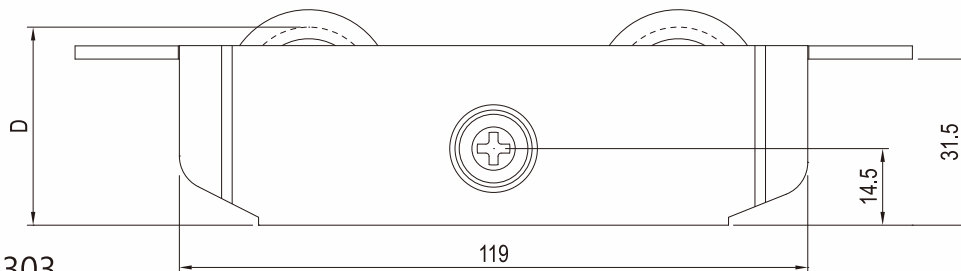
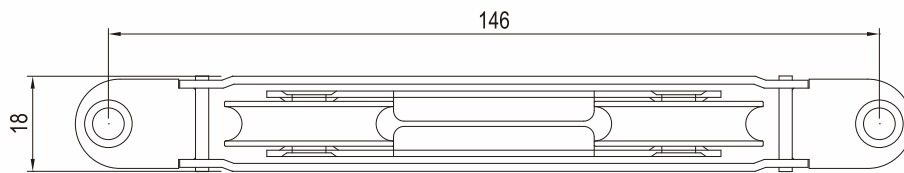
材質SUS304(Material SUS304)



荷重125公斤
輪子材質SUS303

SS737

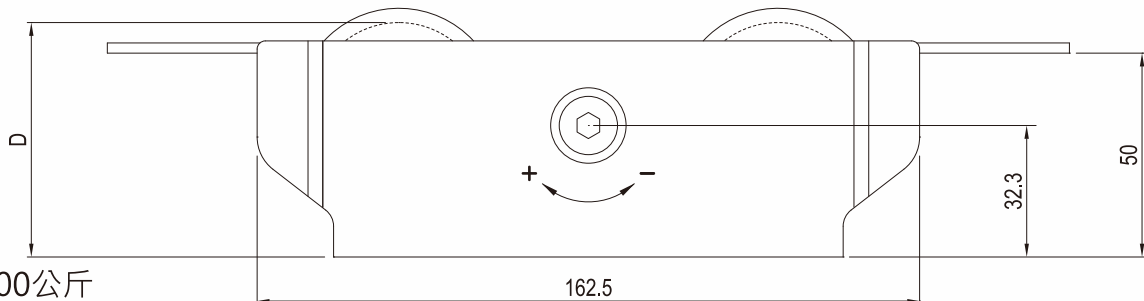
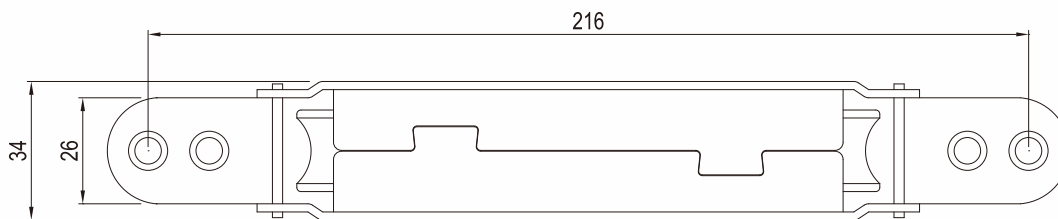
D=36.0~44.0



荷重125公斤
輪子材質SUS303

SRL2118

D=37.5~44.0



荷重400公斤

RLS2136

D=57.5~67.0

輓
輪
系
列

JAM-YUAN ENTERPRISES CO., LTD